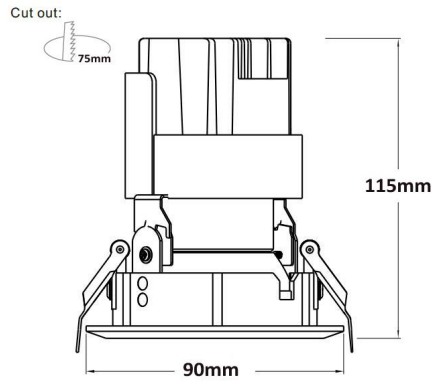


## MF COB Down Light Specification

**Model NO.:MF-B075010**



Fixed COB Series

**UGR:19 KN<10% CRI>83**



IEC62031  
IEC60598-1  
IEC60598-2  
IEC61347  
Comply with Energy Star SSL

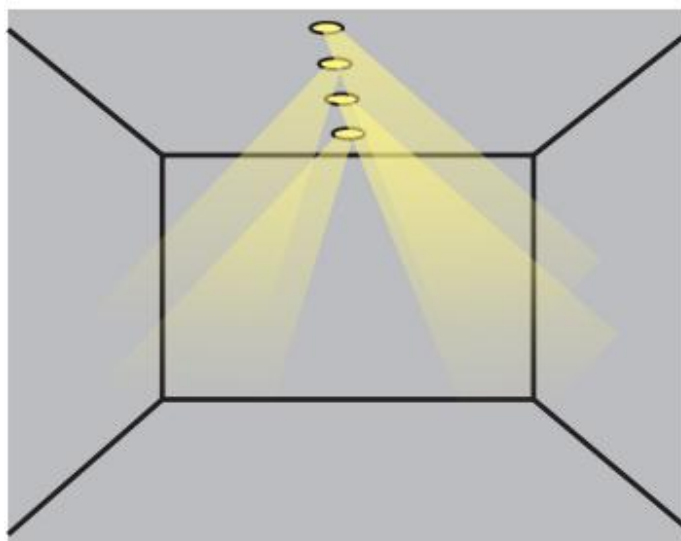
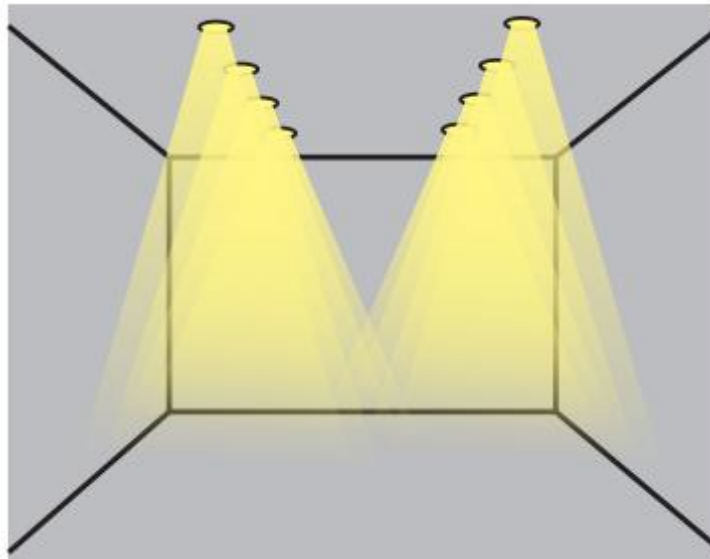
ErP CE RoHS F IP44

**CREE** **LIFUD**

**Narrow Beam Angle:**



**Adjustable/Fixed head available:**



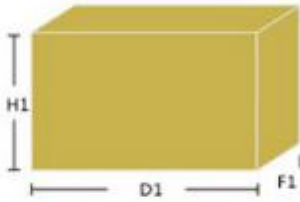
**Product Parameters:**

<b>Input voltage</b>	220-240Vac, 50hz/60hz
<b>Product Size</b>	∅ 90*115mm
<b>Cut out Size</b>	∅ 75mm
<b>Power(watt)</b>	10W
<b>Color temperature</b>	3000K / 4000K / 5000K
<b>LED Chip</b>	Cree COB(CXA1507)
<b>LED Driver</b>	Lifud
<b>PF</b>	≥0.95
<b>Housing Colour</b>	White RAL9003
<b>Luminous Flux (lm)</b>	900lm@3000K, 1000lm@4000K, 1100lm@5000K
<b>CRI (Ra)</b>	>83
<b>Lifespan</b>	≥50000hrs
<b>Beam Angle</b>	10° / 15° / 24° / 38°
<b>Material</b>	Aluminum Alloy
<b>Operating Temperature</b>	-20°C ~50°C
<b>Head type</b>	Adjustable/Fix head
<b>IP</b>	IP44
<b>Certificate</b>	CE/ RoHS
<b>Warranty Period</b>	5 years

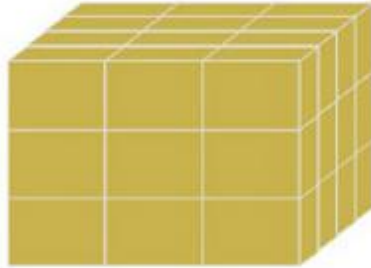
**Package:**



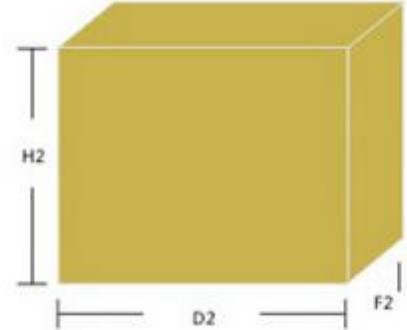
**Packing Size: (CM)**



**10(D1)\*10 (F1)\*13cm(H1)/PCS**



**50PCS/CTN**



**54(D2)\*30(F2)\*54cm(H2)/50PCS**

**N.W: 24.0KG, G.W: 25.0KG**

**Job reference photos from Ming Feng**

